

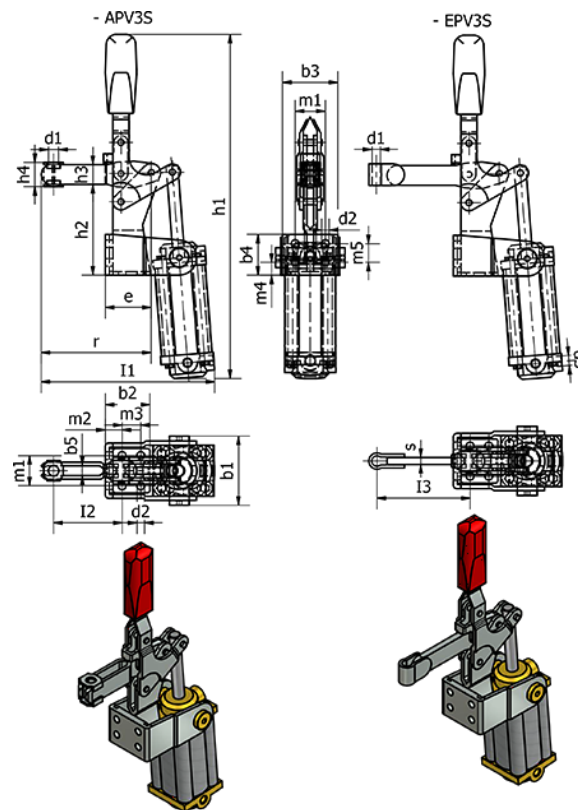
Data Sheet



Article number: 208621200APV3SM

Description: E+G Ganter clamps with magnetic piston
GN 862.1-200-APV3S-M

Measures



b1	= 59.5	d3	= G 1/8"	I2	= 59	m4	= 11
b2	= 38.5	e	= 39.5	I3	= 80	m5	= 16
b3	= 51	h1	= 296	I1	= -	r	= 98
b4	= 35	h2	= 78	I2	= -	s	= 6
b5	= 8.5	h3	= 17	I3	= -	Weight in g	= 12
Clamping force at 4 bar in air press	= -	h4	= 35	m1	= 26		
d1	= M8	Holding force in N	= 2200	m2	= 14.5		
d2	= 6.5	I1	= 150	m3	= 16		